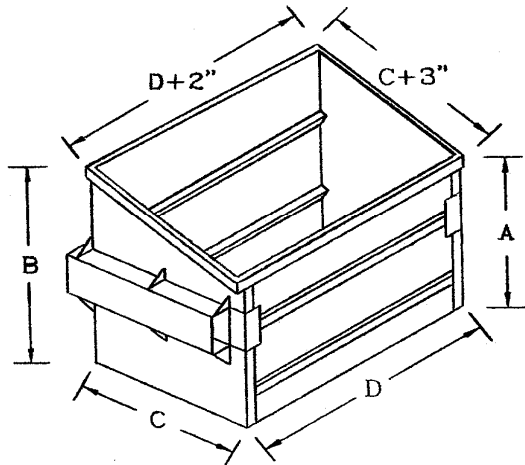




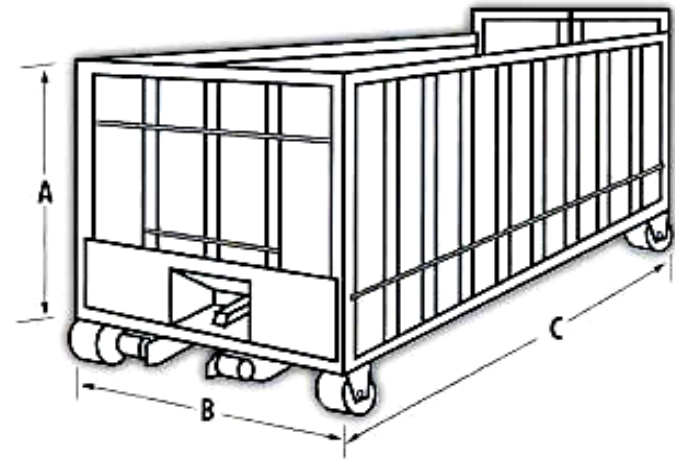
14048 Valley Blvd., P.O. Box 60009
 City of Industry, CA 91716-0009
 PHONE: (626) 336-3636 FAX: (626) 369-4754

Waste Collection • Recycling • Transfer • Disposal • Street Sweeping



Front Loader Container Dimensions

SIZE	FRONT HEIGHT	BACK HEIGHT	WIDTH	LENGTH
	A	B	C	D
1 1/2 YD	29 1/2 in	34 1/2 in	29 1/2 in	72 in
2 YD	34 1/2 in	41 1/2 in	34 1/2 in	72 in
3 YD	41 1/2 in	50 1/2 in	41 1/2 in	72 in
4 YD	46 in	57 in	50 1/2 in	72 in
6 YD	64 in	71 in	58 in	72 in



Roll Off Container Dimensions

SIZE	FRONT HEIGHT	WIDTH	LENGTH
	A	B	C
10 YD	2.5 ft	8 ft	16 ft
20 YD	4 ft	8 ft	20 ft
30 YD	6 ft	8 ft	20 ft
40 YD	7 ft	8 ft	22 ft